



ACT Logimark Danmark A/S



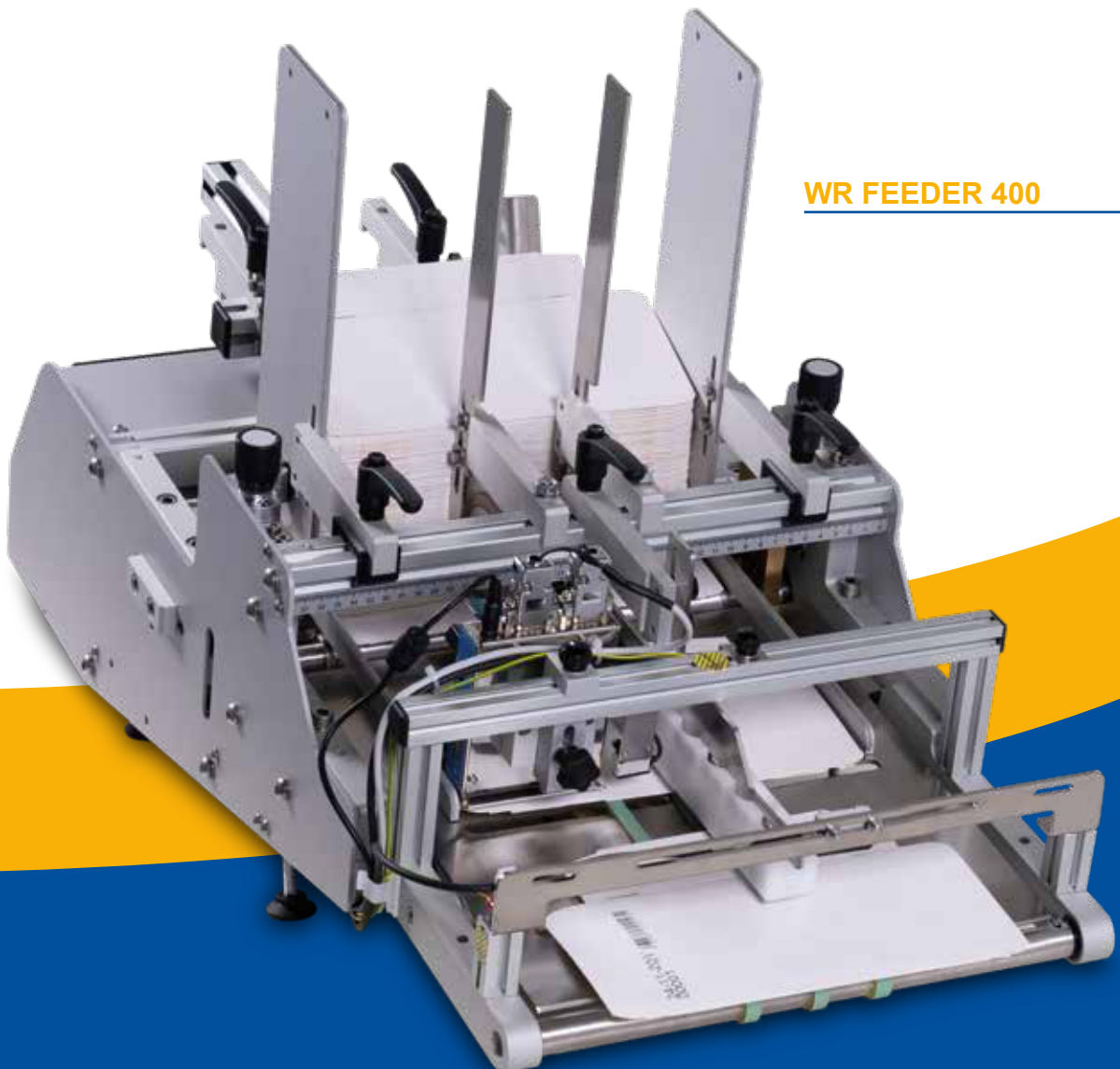
ACT Logimark Danmark A/S - C F Tietgens Vej 3A - 6000 Kolding
Tlf: 75872600 - Web: www.act-shop.dk

WR FEEDER is a friction feeder for sheets, cards, cases, and coupons up to a maximum size of 250x300 mm. in the 250 version or 400x300 mm. in the 400 version or 500x300 mm. in the 500 version. Thanks to its powerful stepper motor, it can reach a feed speed up to 70 meters/minute.

The feed selection uses rubber counter-rotating rollers with micro adjustments on both the left and right side, which make the feeder extremely flexible for any type of product.

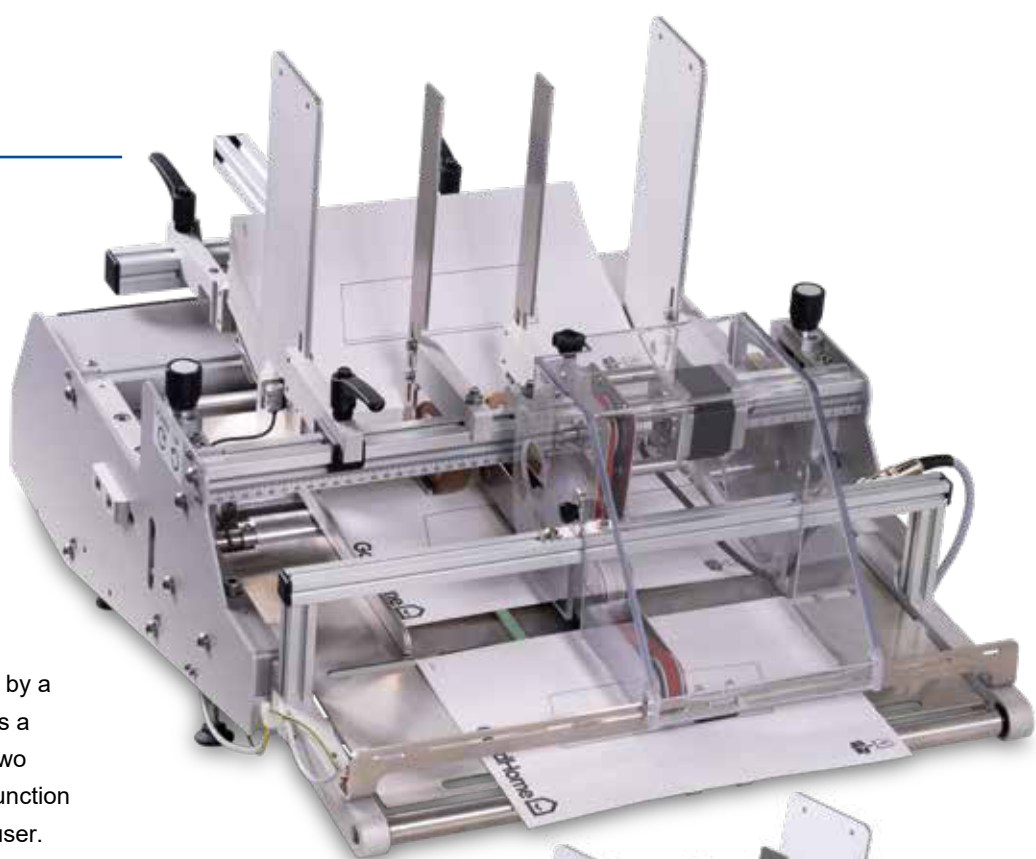
The 300-mm high, large capacity tray with minimum load control ensures great autonomy.

WR FEEDER can be equipped with an HP inkjet marker for variable data such as date, time, bar codes, and texts up to a maximum height of 12.7 mm at a 300 dpi resolution.

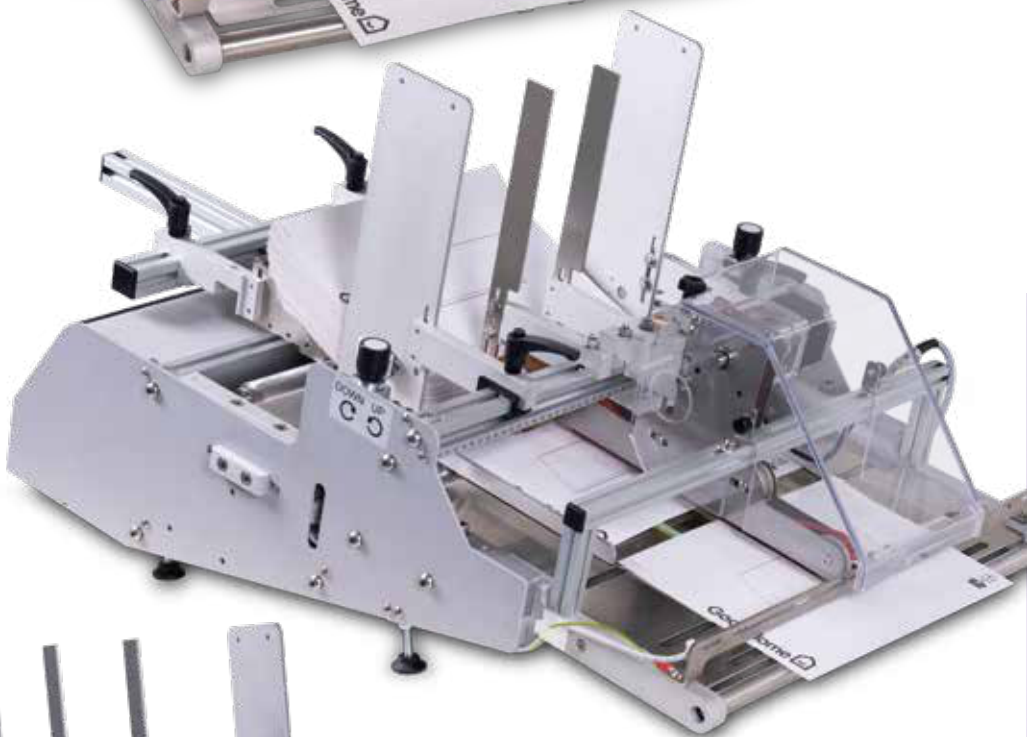


WR FEEDER 400

WR FEEDER 500



WR FEEDER is controlled by a microprocessor which uses a LCD display keypad with two 20-character rows and 7 function keys to interface with the user. Through this, it is possible to set all the working parameters, such as continuous feed or multiple copies on demand, feeding speed, stop delay, print delay and stroke counter. It has enough memory for up to 40 different work settings. During operation, the state of the machine can be displayed, including end-of-production warning or stop reason, e.g. empty loader or jammed paper.



WR FEEDER 400

WR FEEDER 250





The L and XL versions allow the processing of very long products and/ or the insertion of several printers and labelling heads.

WR FEEDER 500 XL

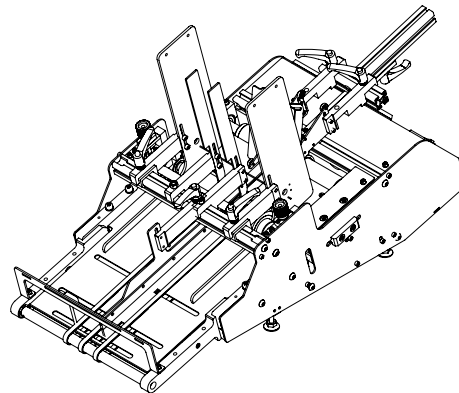
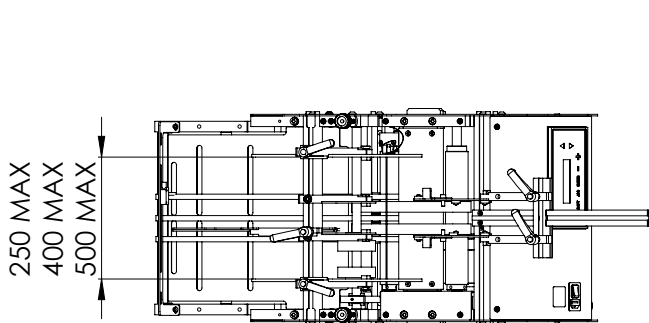
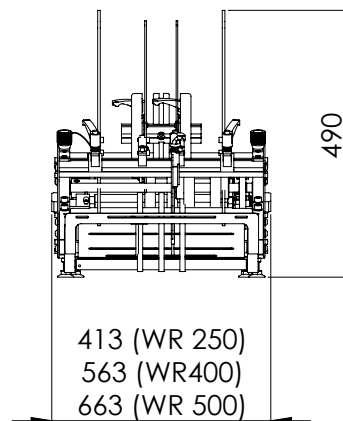
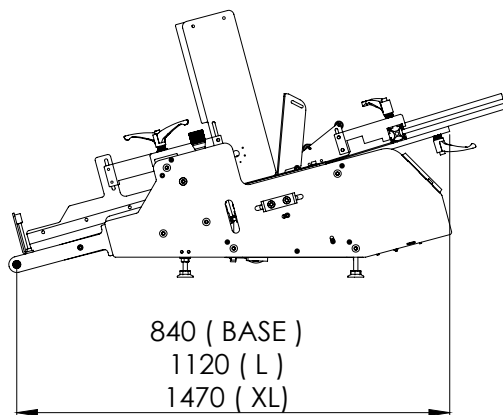


Technical features	WR FEEDER 250	WR FEEDER 400	WR FEEDER 500
Products width	min. 60 - max. 250 mm	min. 60 - max. 400 mm	min. 60 - max. 500 mm
Products length	min. 60 - max. 300 mm	min. 60 - max. 300 mm	min. 60 - max. 300 mm
Products thickness	0,2-10 mm	0,2-10 mm	0,2-10 mm
Feeding speed	max. 70 metres/min	max. 50 metres/min	max. 40 metres/min
Drive	stepper motor	stepper motor	stepper motor
Power supply	230 Vac - 50 Hz	230 Vac - 50 Hz	230 Vac - 50 Hz
Power consumption	300 W	300 W	300 W
Dimensions	840 x 413 x 490 (H)	840 x 563 x 490 (H)	840 x 663 x 490 (H)
Weight	35 Kg	40 Kg	45 Kg

WR FEEDER

Friction Sheet Feeder

WR FEEDER 250 / 400 / 500



ACT Logimark Danmark A/S

ACT Logimark Danmark A/S - C F Tietgens Vej 3A - 6000 Kolding
Tlf: 75872600 - Web: www.act-shop.dk