



ACT Logimark Danmark A/S



DWR ROUND

Semi-automatic labelling machine for cylindrical products

ACT Logimark Danmark A/S - C F Tietgens Vej 3A - 6000 Kolding
Tlf: 75872600 - Web: www.act-shop.dk

DWR ROUND is a semi-automatic labelling machine for the application of self-adhesive labels to cylindrical products.

It is available with a maximum label width of 200 mm, or 300 mm. and is equipped with an unwind unit which accepts reels with a maximum diameter of 300 mm, providing long operation autonomy.

DWR ROUND can also be equipped with an inkjet marker with HP technology for printing variable data such as date and time, barcodes and text with a maximum height of 12.7 mm, a resolution of 300 dpi and speed synchronised with the label supply speed.

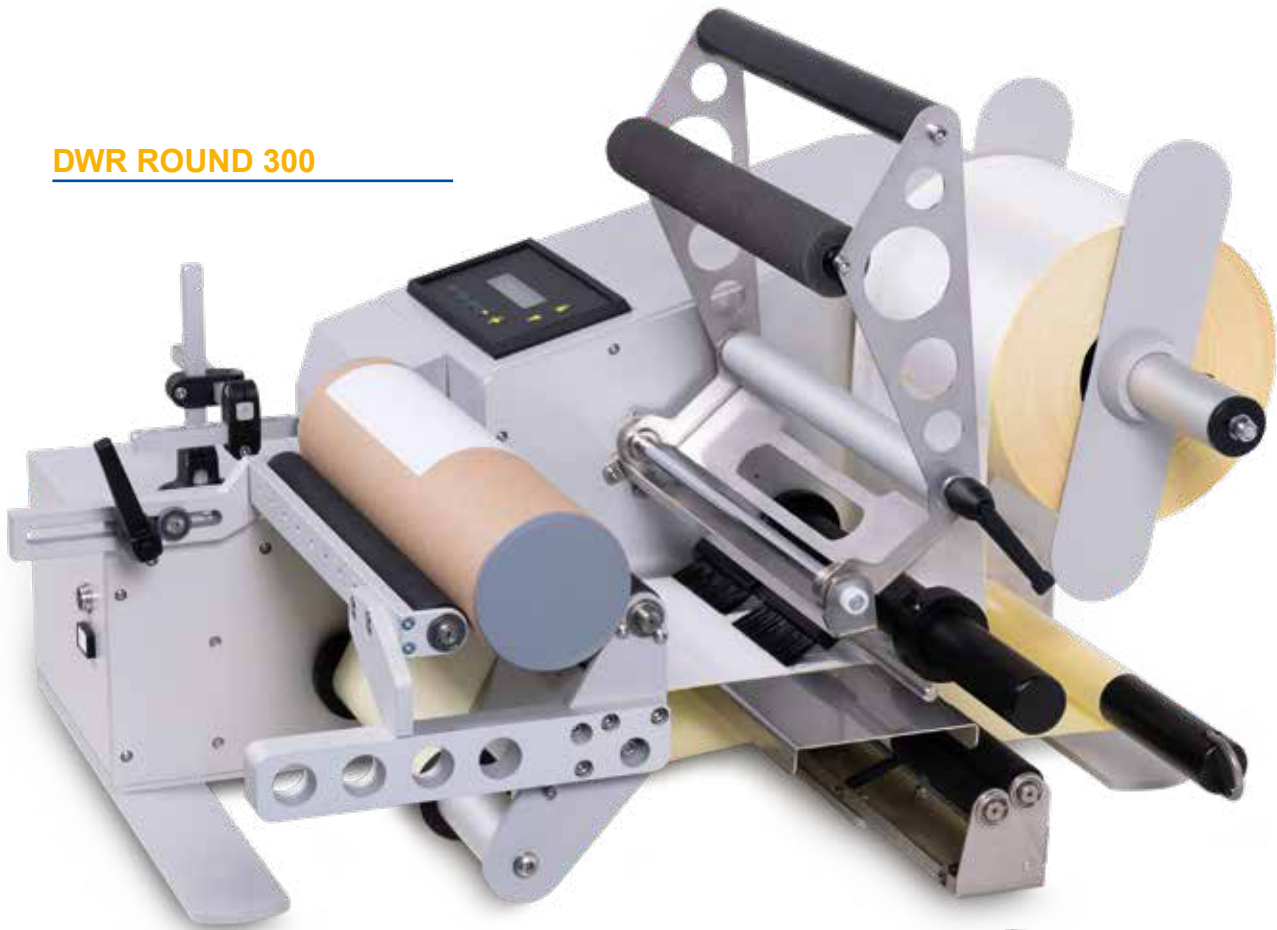
DWR ROUND 200



DWR ROUND

Semi-automatic labelling machine for cylindrical products

DWR ROUND 300



DWR ROUND 200



ACT Logimark Danmark A/S - C F Tietgens Vej 3A - 6000 Kolding
Tlf: 75872600 - Web: www.act-shop.dk



DWR ROUND 300



DWR ROUND 200



DWR ROUND can apply wraparound or front/back labels, even of different dimensions positioned on the same reel.

DWR ROUND can even apply labels in phase by reading a coloured notch on the product or a previously applied label, for example.

Labels are detected using a fork photocell, which reads the transparency; an ultrasound sensor which reads the thickness is available for when transparent labels are used.

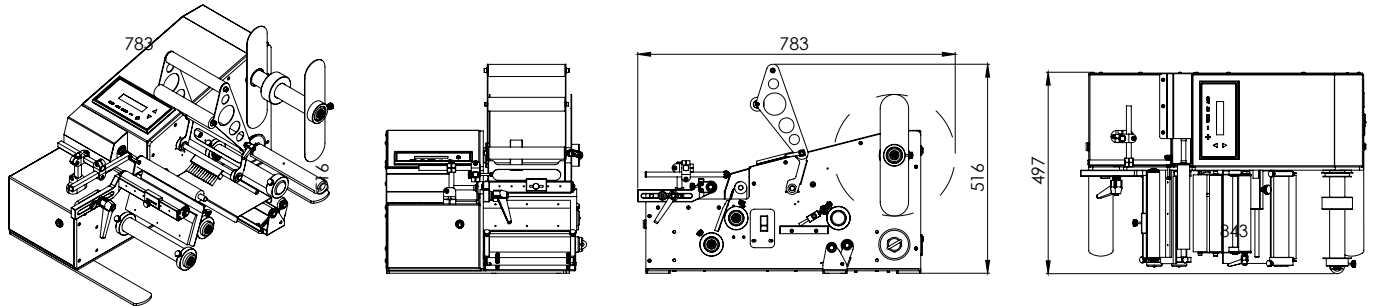


DWR ROUND

Semi-automatic labelling machine for cylindrical products

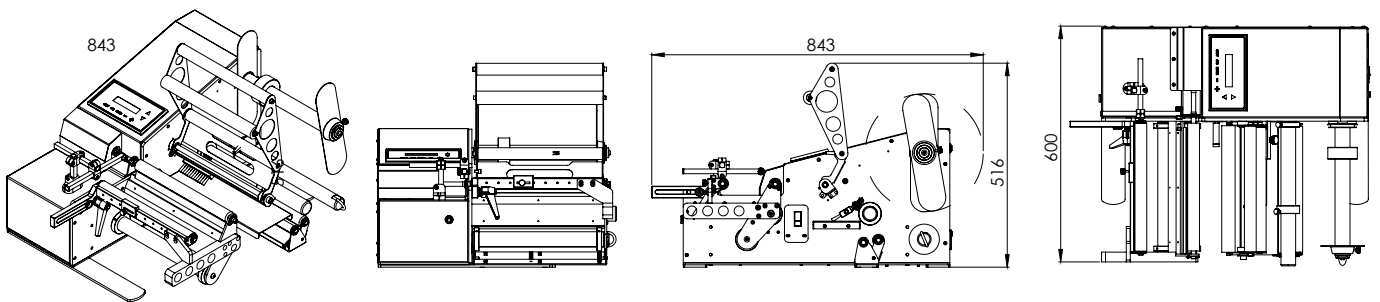
783

516
DWR ROUND 200



516

516
DWR ROUND 300



516



ACT Logimark Danmark A/S

ACT Logimark Danmark A/S - C F Tietgens Vej 3A - 6000 Kolding
Tlf: 75872600 - Web: www.act-shop.dk