

# portable 50

Up to 50 mm high resolution mobile printing

The new edding portable 50 compact printer is an inkjet printer that, with its unique cartridge system, enables high-resolution printing with a print height of up to 50 mm.

This printer was developed for applications away from the production line. With a print height of 50 mm, it can easily print on large surfaces such as boxes in bulk shipping or cartons in receiving.

Equipped with the wide range of functionalities of the edding in-line printer, supplemented by a positioning laser and an original Metabo LiHD industrial battery, the portable 50 in the form of a mobile printer offers the perfect solution for applications away from the production line.

More information at [www.elried.de](http://www.elried.de)



Choice of different ink types as well as colors for almost any material



50 mm print height for texts, logo, barcodes



Input via touchscreen, cordless keyboard, mobile devices or PC



Connection to ERP systems via MQTT, OPC UA, http request and TCP server



Including Metabo LiHD industrial battery with 4 Ah



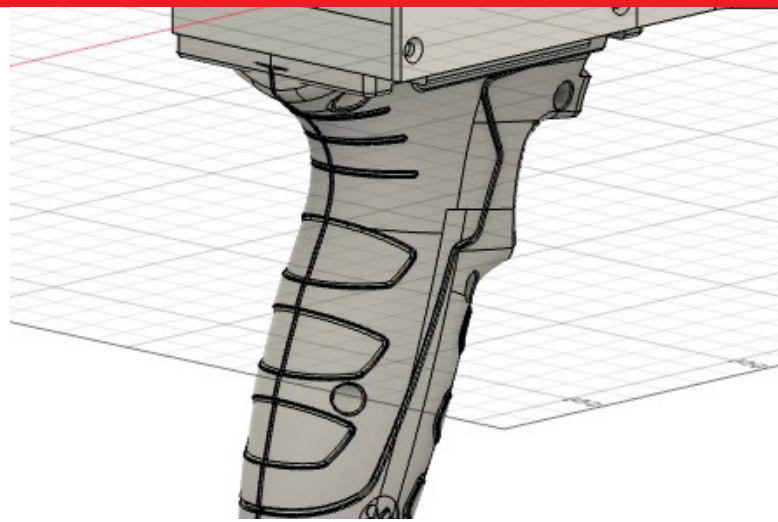
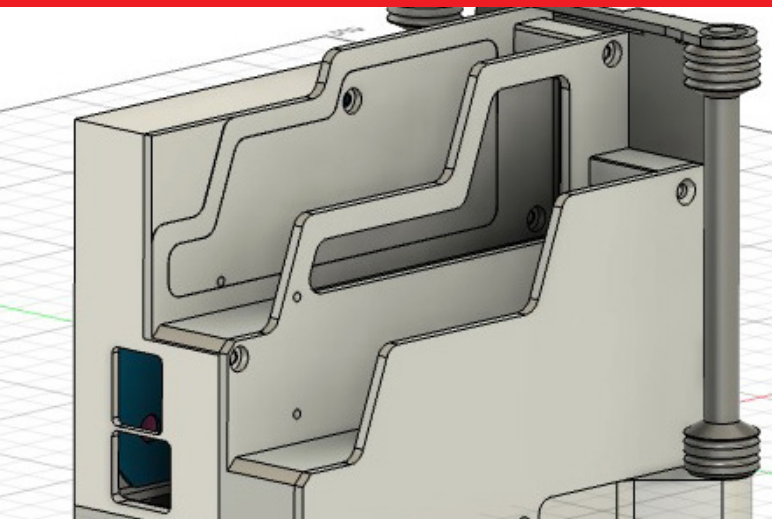
Maximum uptime, as neither maintenance nor technicians are required



High resolution crisp 300 dpi printing



Made in Germany and 24 months warranty (without consumables)



# portable 50

## Technical data

<p><b>Printing method</b>  <b>Print height</b>  <b>Printing surfaces</b>  <b>Printing options</b>  <b>Storage capacity</b>  <b>Connectivity</b></p>	<p><b>Printing system</b>          High-res TIJ printing technology with 300 dpi          Up to 44 lines, between 1.0 mm and 50 mm (2 inches)          Wide ink portfolio for almost all materials and surfaces in multiple colors          Alphanumeric characters, logos, date/time, counter, lot/box number, 1D/2D barcodes          Internal memory for over 100,000 texts and logos          RJ 45 Ethernet connection including DHCP          Applications via MQTT, OPC UA, http request and TCP server          Web server for access from any workstation          Automatic ordering of new cartridges by the printer on demand</p>
<p><b>User interface</b></p>	<p>Intuitive user interface with true WYSIWYG print preview          Automatic wizards for printer setup          Graphical instructions for mounting, software update and cartridge cleaning in the printer display</p>
<p><b>Input devices</b></p>	<p>Cordless compact keyboard (included)          Any tablet, smartphone or PC</p>
<p><b>Display</b>  <b>6 LED indicators</b>  <b>Input / Output</b>  <b>Language selection</b>  <b>Housing / Construction</b></p>	<p>4.3-inch capacitive color LCD touchscreen with LED technology          On/off, print, low ink, alarm, print direction right/left          2 high-speed USB 2.0 inputs          German, English, Spanish, Russian, Turkish, Portuguese, Chinese simplified          Extra robust and impact resistant aluminum housing          Stainless steel deflector on the front of the printer for food environments          4-in-1 sandwich design (controller, screen, printhead and ink cartridge)          Stand-alone unit, can be used without PC</p>
<p><b>Battery</b></p>	<p>Metabo LiHD premium industrial battery (4000 mAh)          Charger AC 100-240 V, 50/60 Hz, 3 A, signal generator          Battery power for 12 hours of use, requires only 35 minutes to charge          Can be used for other Metabo power tools</p>
<p><b>Dimensions (L/W/H)</b>  <b>Weight</b>  <b>Operating environment</b>  <b>Quality</b></p>	<p>297 x 152 x 104 mm          1.2 kg excluding battery and ink cartridge          5-40 °C (41-104 °F) at 10-90 % humidity (non-condensing)          Made in Germany</p>
	<p><b>Scope of delivery</b>          edding portable 50 printing system          Stackable Tanos transport case          Metabo LiHD high performance battery with 4.0 Ah          Metabo battery quick charger          Cordless compact keyboard</p>
	<p><b>Warranty</b>          24 months (except consumables)</p>